



WALRUS
PUMP

TPRK_EHSIC Series

**Frequency Conversion
Multi-stage Immersion
Centrifugal Pump**



**Better Life
Through Innovation**

TPRK_EHSIC Series Frequency Conversion Multi-stage Immersion Centrifugal Pump

50 / 60 Hz

Power: 7.5 kW

Head: Up to 415 M

Flow: Up to 135 L/min

Outlet: 1 1/4"



Construction Industry



Agriculture & Fishing Industry



Manufacturing Industry



Electricity & New Energy Industry



Entertainment & Leisure Industry



Accommodation & Food Service Industry



Wholesale & Retail Industry



Water Supply & Pollution Control



Service Industry



Product Features

The TPRK_EHSIC Series is Immersible vertical multistage centrifugal pump, self-priming, coupling connection between pump and motor, stainless steel construction design ensures corrosion-free operation.

- Integrated shaft seal design makes it easy to replace the shaft seal.
- The use of piggyback inverters can increase the working pressure and achieve different characteristic controls according to needs.

Applications

The TPRK_EHSIC is vertical multistage centrifugal pump, designed for industrial use, specially for machine tool. It is suitable to carry fluids such as water, coolant, light oil and other clean, non aggressive matters:

- Industrial circulation system
- Washing/cleaning system

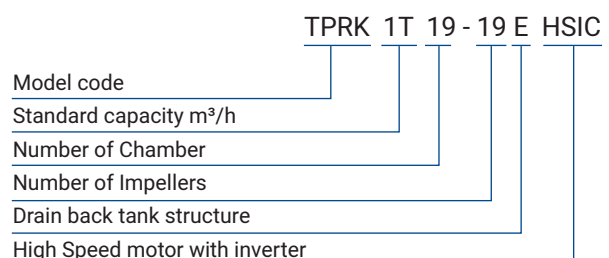
Motor

- Enclosure class: IP54
- Insulation class: F.

Operating Conditions

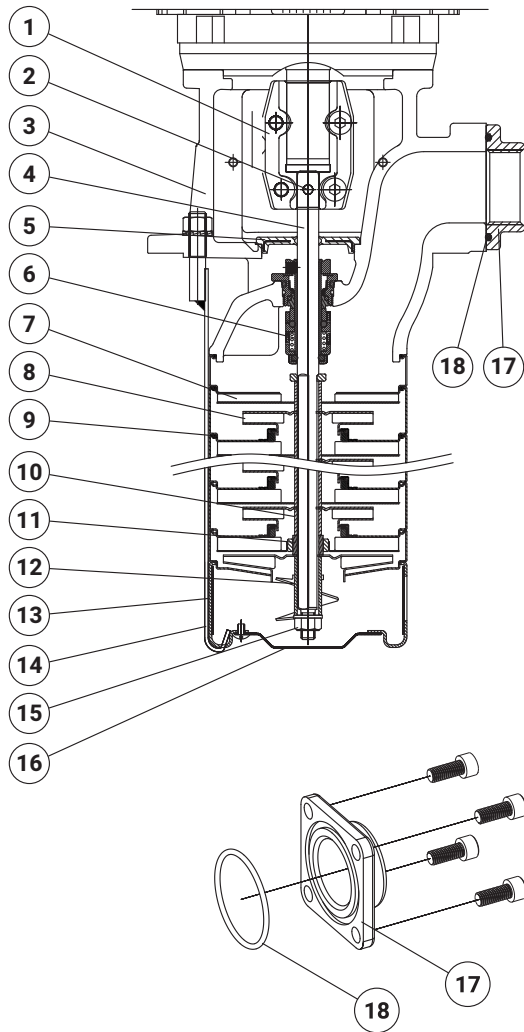
- Ambient temperature: Max. +40°C
- Liquid temperature: +0°C ~ +90°C
- Operating pressure: Max.38 kg/cm²
- Submerged depth: Min. 40 mm
- Strainer Diameter: Ø2mm

Model Code



Sectional Drawing

TPRK_EHSIC



Materials

NO.	Part Name	Material
1	Coupling	FCD45
2	Pin	SUS304
3	Pump Casing	FCD45
4	Shaft	SUS304
5	Mechanical Seal	NBR+SPCC
6	Sleeve	RSSH
7	Intermediate Chamber	SUS304
8	Impeller	SUS304
9	O-ring	HNBR
10	Sleeve	SUS304
11	Bearing	SiC
12	Priming Screw	SUS304
13	Suction interconnector	SUS304
14	Strap	SUS304
15	Lock Nut	SUS316
16	Filter	SUS304
17	Flange	SUS304
18	O-ring	HNBR

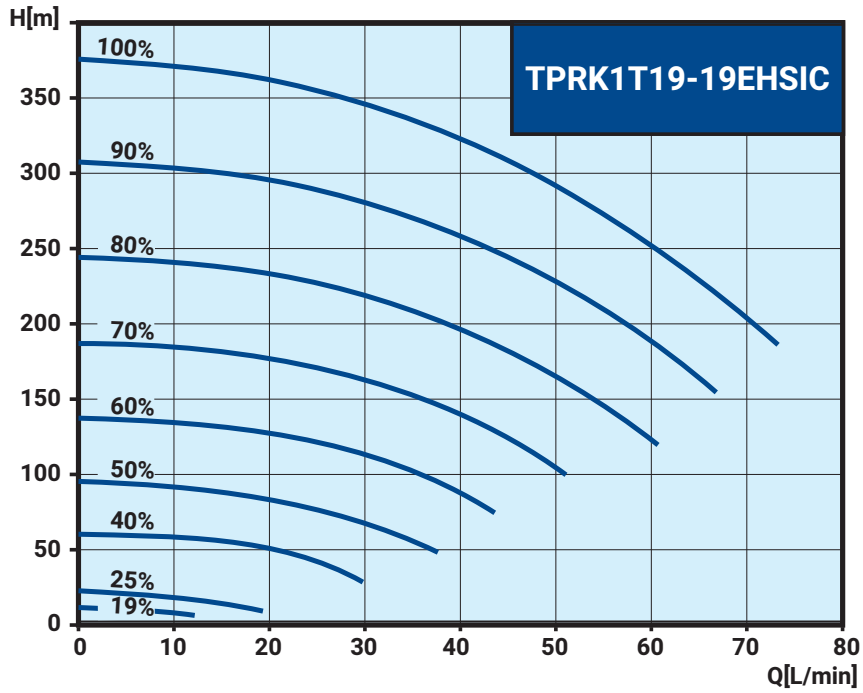
Options on Request

Special mechanical seal

Mechanical seal type	Material	
	Stationary Face/ Rotary Face	Cup Gasket & O Ring
RSSH	(S)Silicon carbide /	(H) HNBR
RSSV	(S)Silicon carbide	(V) Viton
RSSE		(E) EPDM

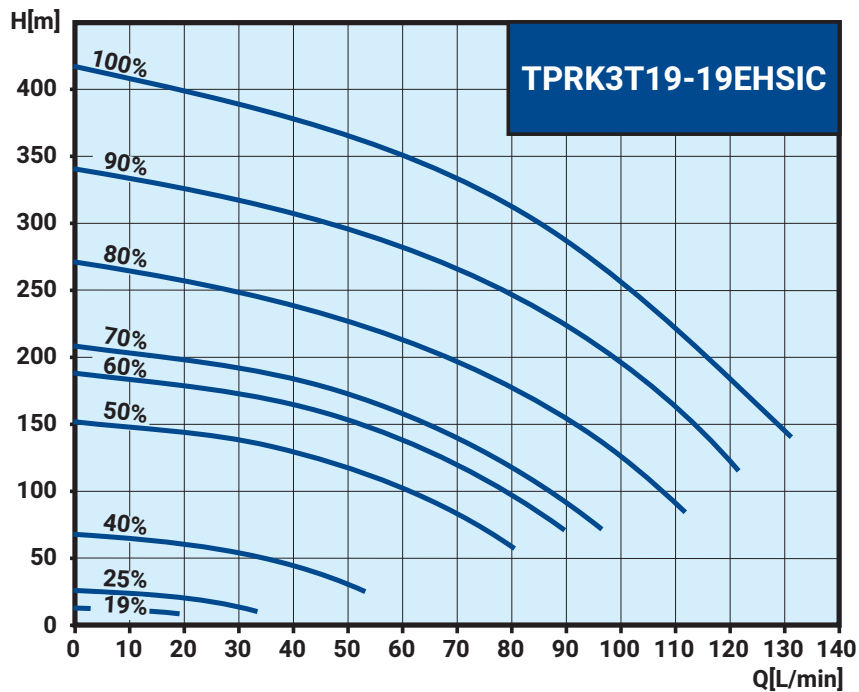
Performance Curve

TPRK1T_EHSIC



Performance Curve

TPRK3T_EHSIC

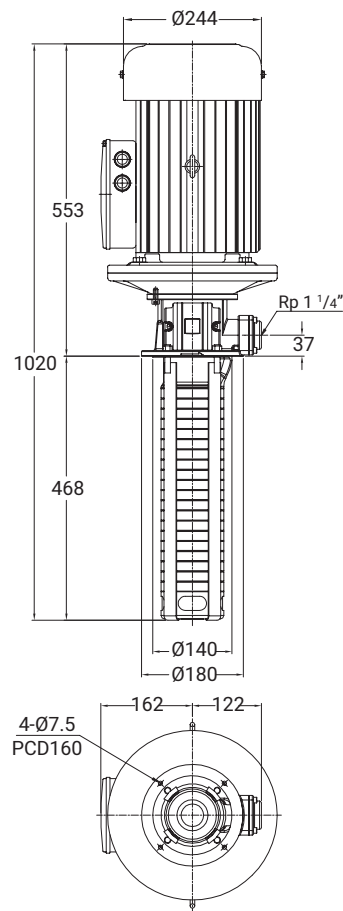


Electrical Data

Model	PH Ø	Volts V	Output kW	N.W. Kg
TPRK1T19-19EHSIC	3	220 / 380	5.5	97
TPRK3T19-19EHSIC	3	220 / 380	7.5	101

Dimensions

TPRK1T / 3T_EHSIC



Memo



Memo





WALRUS
PUMP

WALRUS PUMP CO., LTD.

Head office: No.83-14, Dapiantou, Sanzhi Dist.,

New Taipei City 252, Taiwan

Tel: (+886) 2 2636-1123~7

Fax: (+886) 2 2636-3156

Email : walrus.sales@walrus.com.tw



All specifications are subject to change without notice. TPRK_EHSIC-EN000-202506

